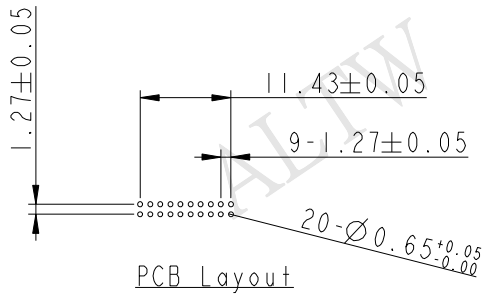
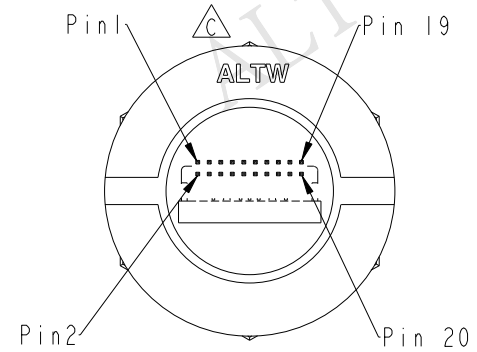
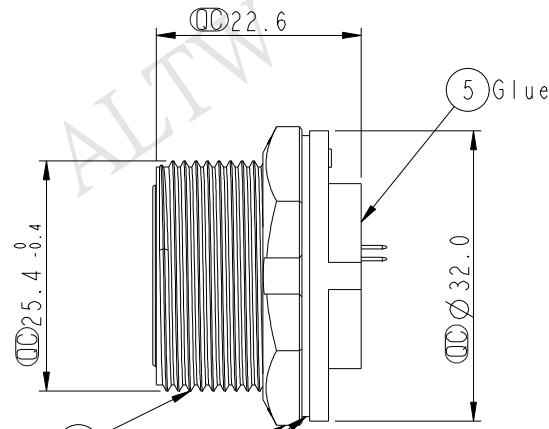
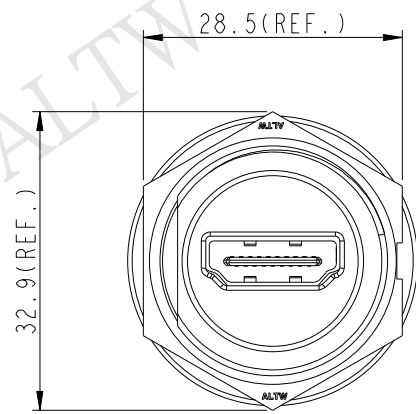
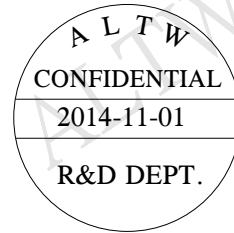
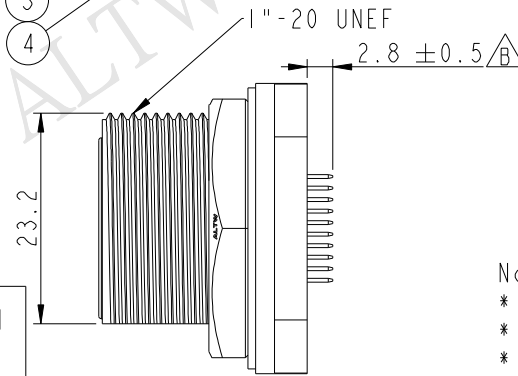




REV.	ECN NO.	DATE	SIGN	DESCRIPTION
B	LEN1420047	2013-12-03	Kelly	Change Tolerance
C	LEN14B0012	2014/11/01	Lu Di	Update LOGO

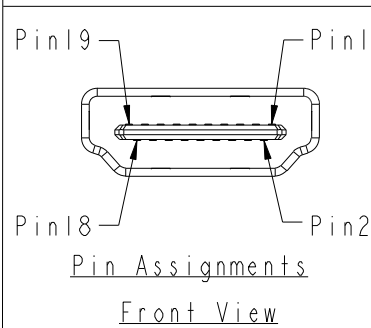
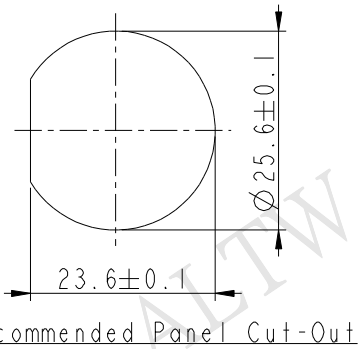


- 1 Connector
- 2 HDMI Jack
- 3 Nut
- 4 Gasket

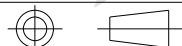


Note:

- \*  $\varnothing$  Important Dimension.
- \* Waterproof Rate: IP67
- \* Jack: 19Pin HDMI Female
- \* Connector: Nylon+GF, Black
- \* Gasket: EPDM, Black
- \* Use Waterproof Cap or Dust Cap
- Panel Thickness Max: 2.5mm
- \* Use without Waterproof Cap or Dust Cap
- Panel Thickness Max: 4.0mm



UNIT: mm



TITLE			
HDMI Panel			
TOLERANCE	.X ± 0.25	SCALE	1:1
.XX ± 0.1	SIZE	A4	SHEET 1 OF 1
.XXX ± 0.05	REV.	C	WC-REV. B.2
ANGLES ± 1°	$\varnothing$ : Inspection item		

**Amphenol LTW**  
安費諾亮泰企業股份有限公司

ITEM NO.	DRAWN BY	DATE
HJ-19PMFP-SC7001	Lu Di	2014/11/01
DWG NO.	CHECKED BY	DATE
HJ-19PMFP-SC7001	Joyy	2014/11/01
CUSTOMER	APPROVED BY	DATE
ALTW	Jerry	2014/11/01

THIS DOCUMENT IS SUBJECT TO CHANGE WITHOUT NOTICE. IT IS CONFIDENTIAL AND A PROPERTY OF AMPHENOL LTW. DISCLOSURE TO THIRD PARTY HAS TO BE AUTHORIZED BY AMPHENOL LTW.